

DUMPS ARENA

Citrix XenApp and XenDesktop 7.15 Assessment, Design, and Advanced Configurations

Citrix 1Y0-402

Version Demo

Total Demo Questions: 10

Total Premium Questions: 141

Buy Premium PDF

<https://dumpsarena.com>

sales@dumpsarena.com

dumpsarena.com

QUESTION NO: 1

Scenario: A Citrix Architect needs to implement XenDesktop in an environment. The XenDesktop design requires enabling TLS encryption between components to ensure Payment Card Industry (PCI) compliance. A PCI audit determines that TLS must be used for communication with the Virtual Delivery Agent (VDA) machines.

Which three tasks should the architect perform to enable TLS on VDA machines? (Choose three.)

- A. Run a Citrix-provided PowerShell script on the VDA machine image to enable TLS
- B. Enable TLS for Delivery Groups on the Delivery Controller
- C. Run a Citrix-provided PowerShell script on the Delivery Controllers.
- D. Enable TLS for the XenDesktop Site
- E. Deploy certificates to the Delivery Controller
- F. Deploy certificates to the VDA machines

ANSWER: B C D**QUESTION NO: 2**

Scenario: After a recent security assessment, a Citrix Architect recommends blocking unnecessary peripheral types by disabling the associated HDX channels. Currently, the environment is intended to support the peripheral types listed in the Exhibit.

Click the Exhibit button to view the supported peripheral types.

Allowed Peripherals	Prohibited Peripherals
<ul style="list-style-type: none">• Keyboard• Standard mouse• Endpoint drives• Webcams• Scanners	<ul style="list-style-type: none">• Smart cards• Headsets (headphones and microphone)• Printers• Any additional specialized peripherals that have NOT been approved for inclusion

Which four HDX virtual channels should the architect disable, based on the peripherals required in the environment? (Choose four.)

- A. SmartCard
- B. TWI
- C. Print
- D. ClientAudio
- E. GenericUSB

F. TwainRdr

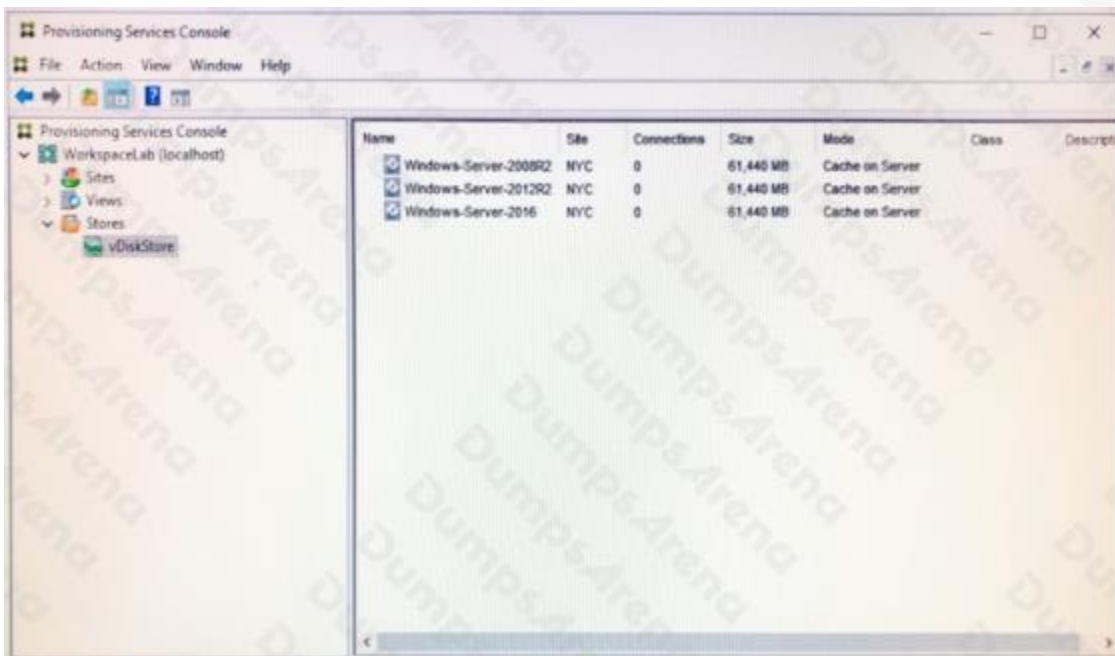
G. Multimedia

ANSWER: A C D E

QUESTION NO: 3

Scenario: A Citrix Architect is assessing a Provisioning Services farm. The farm has access to one Store; the vDisks in the Store are shown in the Exhibit.

Click the Exhibit button to view the vDisks.



The screenshot shows the Provisioning Services Console interface. On the left, a tree view shows the hierarchy: Provisioning Services Console > WorkspaceLab (localhost) > Stores > vDiskStore. The main pane displays a table of vDisks with the following columns: Name, Site, Connections, Size, Mode, Class, and Description. The table contains three entries, all with a size of 61,440 MB and a mode of 'Cache on Server'.

Name	Site	Connections	Size	Mode	Class	Description
Windows-Server-2008R2	NYC	0	61,440 MB	Cache on Server		
Windows-Server-2012R2	NYC	0	61,440 MB	Cache on Server		
Windows-Server-2016	NYC	0	61,440 MB	Cache on Server		

How much RAM should the architect allocate to each of the Provisioning Services servers to optimally cache existing vDisk data while NOT over-provisioning resources?

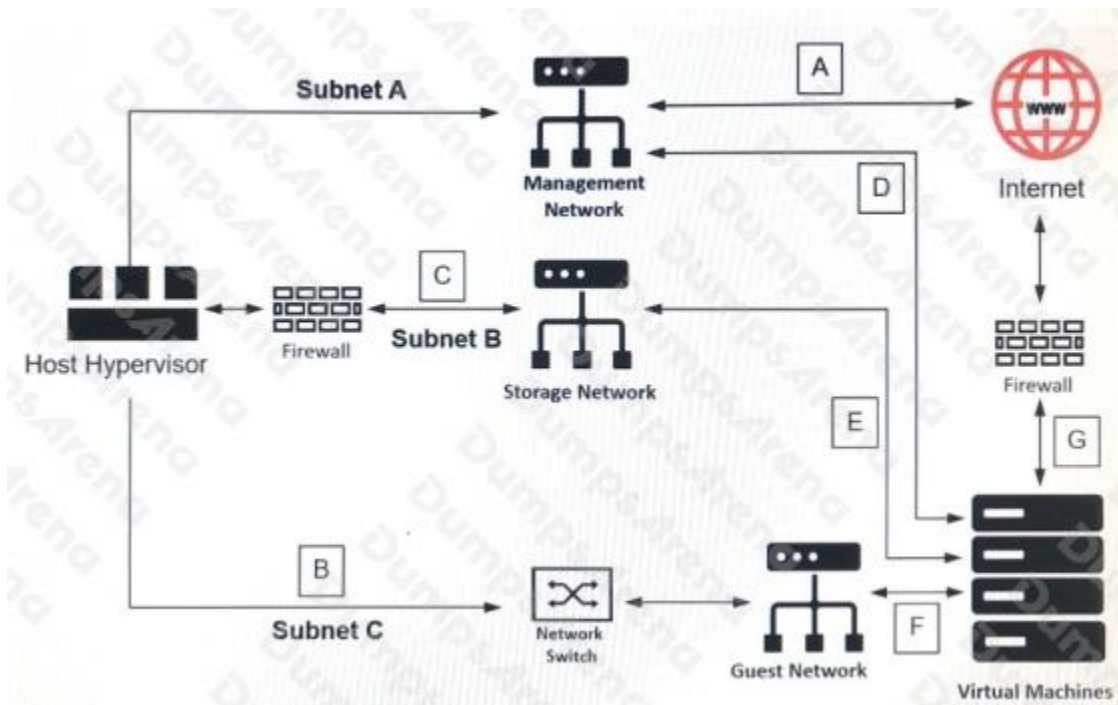
- A. 14 GB
- B. 17 GB
- C. 12 GB
- D. 9 GB

ANSWER: D

QUESTION NO: 4

Scenario: A Citrix Architect must complete a XenApp and XenDesktop security assessment. After examining the network topology for the hypervisor hosts supporting the Virtual Delivery Agent (VDA) machines, the architect finds that some of the network connections are NOT following leading security practices.

Click the Exhibit button to view a high-level diagram which shows the connectivity between various components.



Which three of the labeled areas of the diagram represent connections which are NOT following Citrix leading security practices? (Choose three.)

- A. G
- B. B
- C. A
- D. E
- E. F
- F. D
- G. C

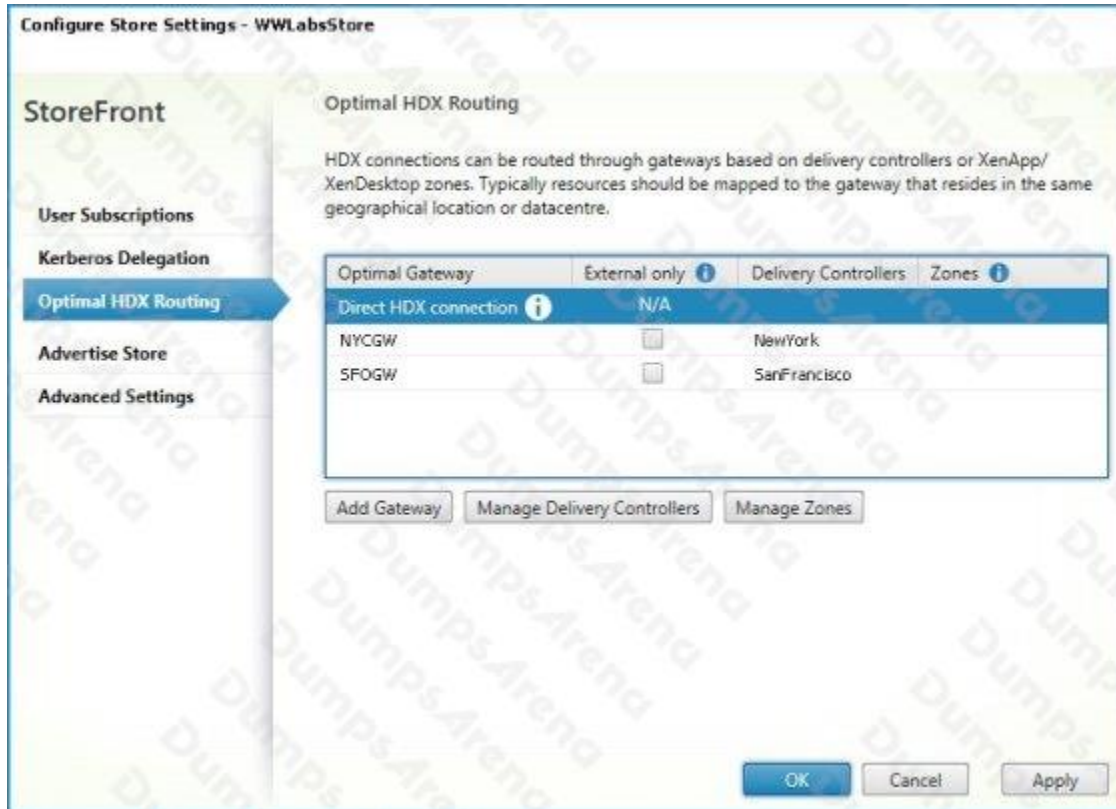
ANSWER: D E F

QUESTION NO: 5

Scenario: A Citrix Architect needs to design a new XenApp and XenDesktop environment. While deploying Optimal HDX Routing for the customer, the architect makes the following configurations:

- Authentication Gateway - AuthGW – Logon.workspace.com - Authentication only
- New York Gateway - NYCGW – Nycgw.workspace.com - HDX Routing only
- San Francisco Gateway - SFOGW – Sfogw.workspace.com - HDX Routing only

Click the Exhibit button to view further details about the configuration.



Upon investigation of the load on the NetScalers, the architect determines that both internal and external HDX traffic flow through the NetScaler Gateways and the NetScalers are running at capacity.

Which PowerShell commandlet and parameter can help the architect address this issue until more NetScaler resources are procured?

- Set-DSOptimalGatewayForFarms -onDirectAccess=false
- Set-STFCitrixAGBasicOptions -onDirectAccess=true
- Set-STFCitrixAGBasicOptions -onDirectAccess=false
- Set-DSOptimalGatewayForFarms -onDirectAccess=true

ANSWER: A

QUESTION NO: 6

Scenario: A Citrix Architect needs to design a new XenApp and XenDesktop environment.

The architect has identified the access requirements listed in the Exhibit.

Click the Exhibit button to view the requirements.

User Groups	Endpoint	Authentication	Receiver Type	Deploy Receiver Client	Resource Filtering	Subscriptions	External Access Required
Accountants	Corporate-owned	Smart Card	Receiver 4.10	No	No	Enabled	No
Executives	BYOD	Username & Password	HTML5	-	No	Disabled	No
Graphic Designers	Mac BYOD	Username & Password	MAC Receiver 4.10	Yes	No	Enabled	No
Customer Service	Corporate-owned	Anonymous Access	Receiver 4.10	No	No	Disabled	Yes
Sales	BYOD	Username & Password	Receiver 4.10	Yes	No	Disabled	No

- Users must be presented only with the specific authentication method.
- Users will be using a mix of both native Receiver and Receiver for Web.
- NetScaler authentication policies will control remote access.

A single store has already been configured with the following settings, every other setting has been kept as a default.

- Username/Password authentication
- No resource filtering
- NetScaler Gateway is configured for authentication
- No IIS redirection
- Deploy Receiver 4.10 installer

The architect needs to evaluate whether the current store, which cannot be changed, meets the requirements of the user groups and needs to determine how many additional stores are required.

How many additional StoreFront stores does the architect need to support the requirements shown in the Exhibit?

- A. 1
- B. 4
- C. 3
- D. 5
- E. 2

ANSWER: E

QUESTION NO: 7

Scenario: A Citrix Architect is designing a XenApp and XenDesktop environment within a single Site. The IT team is planning to use XenServer 7.x and needs guidance on sizing the resource pools for Virtual Delivery Agent (VDA) machines.

Click the Exhibit button to view the requirements for the environment.

Images	OS	Users	vCPU	vRAM (GB)	Disk (GB)	XenServer Hosts
Hosted VDI Image	Win 10	5000	4	6	20	128
Hosted Shared Desktop	Win 2016	3000	4	20	60	15
Hosted Apps	Win 2012 R2	2000	4	8	40	6

Which minimum number of resource pools should the architect recommend to meet the requirements in the Exhibit?

- A. 12
- B. 8
- C. 16
- D. 14
- E. 10

ANSWER: B

QUESTION NO: 8

A Citrix Architect needs to conduct a capabilities assessment for an organization that wants to design and build a new XenApp and XenDesktop environment.

Which three capabilities will directly influence whether the new environment will require new or upgraded hardware or supporting infrastructure for the dedicated resource pools? (Choose three.)

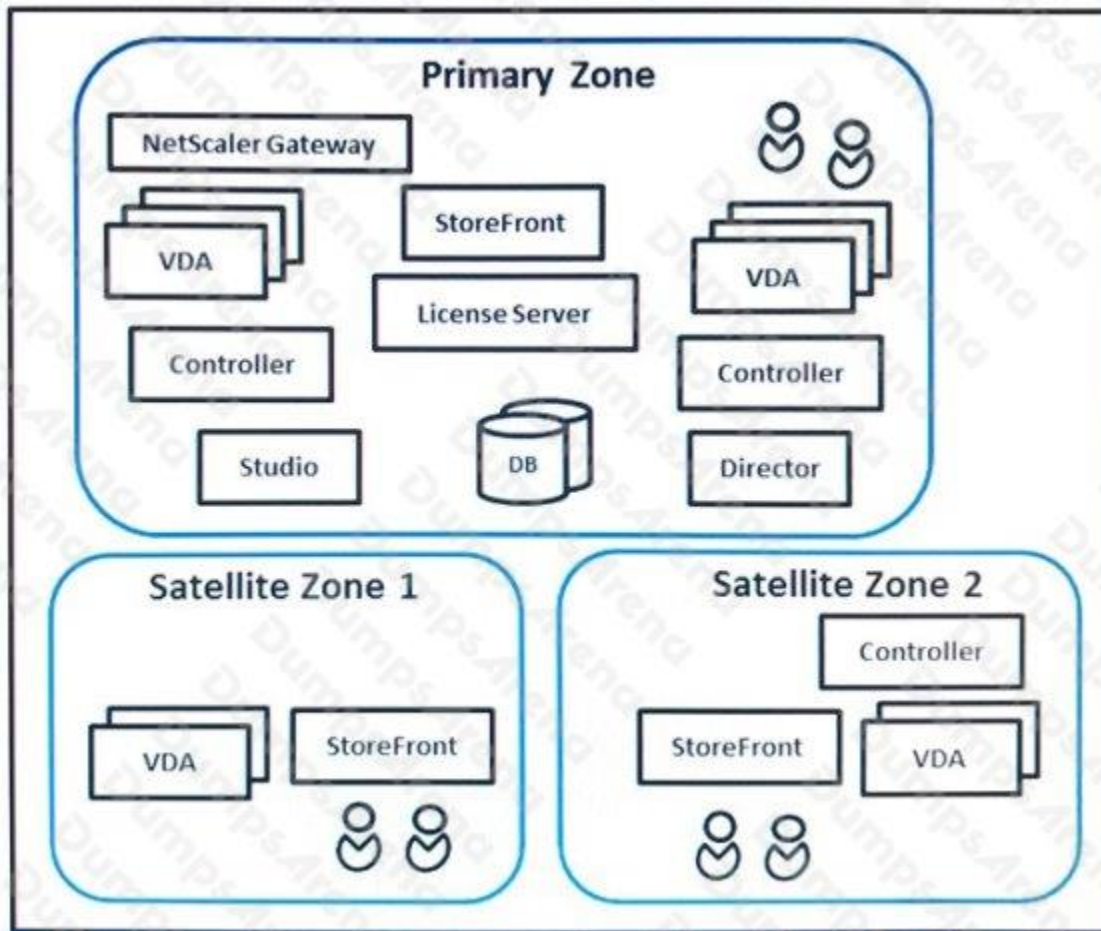
- A. Current virtualization and storage solutions
- B. Client devices and mobility requirements
- C. Existing access infrastructure
- D. Users and applications
- E. Existing printing infrastructure
- F. Network architecture

ANSWER: A B C

QUESTION NO: 9

Scenario: A Citrix Architect needs to assess a XenApp and XenDesktop environment. The XenApp and XenDesktop diagram in the Exhibit gives details about the current Site and Zone design.

Click the Exhibit button to view the diagram.



Which statement is correct if all the Delivery Controllers in the Primary Zone fail?

- A. Connections to Virtual Delivery Agent (VDA) machines in Satellite Zone 1 and Satellite Zone 2 cannot be made.
- B. Connections to Virtual Delivery Agent (VDA) machines in the Primary Zone, Satellite Zone 1, and Satellite Zone 2 cannot be made.
- C. All the Virtual Delivery Agent (VDA) machines in the Primary Zone Satellite Zone 1 will attempt to register with the Controller in Satellite Zone 2.
- D. Connections to Virtual Delivery Agent (VDA) machines in Satellite Zone 1 cannot be made.

ANSWER: C**QUESTION NO: 10**

Scenario: A Citrix Architect needs to design a new XenApp and XenDesktop environment. Citrix Provisioning Services has been selected for image management.

Which two RAID levels should the architect use for the storage hosting the Provisioning Service write cache? (Choose two.)

- A. RAID 0
- B. RAID 1
- C. RAID 10
- D. RAID 6
- E. RAID 5

ANSWER: B C**Explanation:**

Reference: <https://docs.citrix.com/en-us/xenapp-and-xendesktop/7-15-ltsr/citrix-vdi-best-practices/design/design-userlayer5.html>